

# Lock Up Valve

## TS200 Series

### Instruction Manual



Архангельск (8182)63-90-72  
Астана (7172)727-132  
Астрахань (8512)99-46-04  
Барнаул (3852)73-04-60  
Белгород (4722)40-23-64  
Брянск (4832)59-03-52  
Владивосток (423)249-28-31  
Волгоград (844)278-03-48  
Вологда (8172)26-41-59  
Воронеж (473)204-51-73  
Екатеринбург (343)384-55-89

Иваново (4932)77-34-06  
Ижевск (3412)26-03-58  
Иркутск (395)279-98-46  
Казань (843)206-01-48  
Калининград (4012)72-03-81  
Калуга (4842)92-23-67  
Кемерово (3842)65-04-62  
Киров (8332)68-02-04  
Краснодар (861)203-40-90  
Красноярск (391)204-63-61  
Курск (4712)77-13-04  
Липецк (4742)52-20-81

Магнитогорск (3519)55-03-13  
Москва (495)268-04-70  
Мурманск (8152)59-64-93  
Набережные Челны (8552)20-53-41  
Нижний Новгород (831)429-08-12  
Новокузнецк (3843)20-46-81  
Новосибирск (383)227-86-73  
Омск (3812)21-46-40  
Краснодар (861)203-40-90  
Орел (4862)44-53-42  
Оренбург (3532)37-68-04  
Пенза (8412)22-31-16

Пермь (342)205-81-47  
Ростов-на-Дону (863)308-18-15  
Рязань (4912)46-61-64  
Самара (846)206-03-16  
Санкт-Петербург (812)309-46-40  
Саратов (845)249-38-78  
Севастополь (8692)22-31-93  
Симферополь (3652)67-13-56  
Смоленск (4812)29-41-54  
Сочи (862)225-72-31  
Ставрополь (8652)20-65-13

Сургут (3462)77-98-35  
Тверь (4822)63-31-35  
Томск (3822)98-41-53  
Тула (4872)74-02-29  
Тюмень (3452)66-21-18  
Ульяновск (8422)24-23-59  
Уфа (347)229-48-12  
Хабаровск (4212)92-98-04  
Челябинск (351)202-03-61  
Череповец (8202)49-02-64  
Ярославль (4852)69-52-93

Киргизия (996)312-96-26-47    Казахстан (772)734-952-31    Таджикистан (992)427-82-92-69

<http://tissin.nt-rt.ru/> || [tni@nt-rt.ru](mailto:tni@nt-rt.ru)

## Description

The pneumatic lock up valve TS200 Series shuts off the signal pressure line either when the air supply falls below an adjusted value or upon complete air supply failure. This causes the actuator to remain in its last position.

## Features

- Quick Response and High Precision.
- Easy set-up of lock up air pressure.
- When the signal pressure is more than the set pressure, it allows to open the air pressure line automatically.
- Small size and light weight allow the Lock Up Valve to be installed in the direct pipe fitting line without bracket.
- Options available (High & Low Temperature).

## Warranty

- This product has been fully inspected and shipped through a thorough quality inspection procedure. The manufacturer warranty period of the product is 18 months after the product is shipped from Tissin in Korea.
- For any failure or damage reported within the warranty period which is clearly our responsibility, a replacement product or necessary parts will be provided. This limited warranty applies only to our product independently, and not to any other damage incurred due to the failure of the product.
- Using the device in a manner that does not fall within the scope of its intended use, disregarding this manual, using under qualified personnel, or making unauthorized alterations releases the manufacturer from liability for any resulting damage. This renders the manufacturer's warranty null and void.



## Precautions

### General Information

- Please ensure to read and understand the manual before installation and maintenance of the products.
- The manual should be passed to the End-User.
- When the product is not used within its description range, it may cause the product to malfunction so please follow the product manual instructions.

### Handling Precautions

- Do not install, operate or maintain without being fully trained and qualified in Valve and accessory installation.
- When exceeding the permitted air pressure range, it may cause injury or property damage due to compressed air explosion. So it is very important to carefully read, understand and follow all of the contents of the relevant product manual.

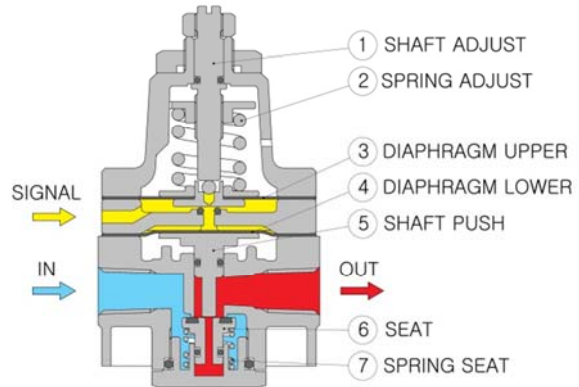
### User Environment

- Do not use in corrosive environments.
- When used in environments that are a higher temperature than the specified temperature range, it may cause a lower life cycle of the product. So please ensure to use within the specified temperature range. (Refer to Page 3)

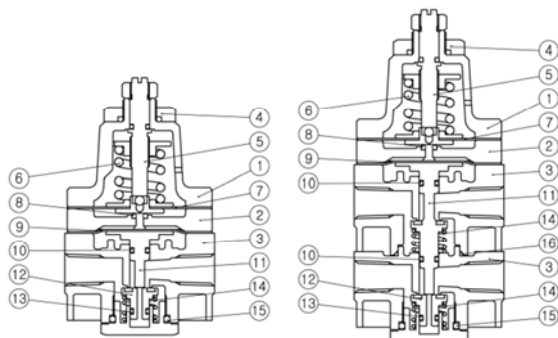
## Specifications

Item.Type	TS100
Signal Pressure	0.14~0.7MPa
Max Supply Pressure	1MPa
Max Lock Up Pressure	0.7MPa
Differential Pressure	Below 0.01MPa
Flow Capacity(CV)	0.9
Signal Connection	PT(NPT)1/4
Supply/Output Connection	PT(NPT)1/4
Operating Temp.	-20℃~70℃ (Standard type)
Material	Aluminum Diecasting
Weight	1.3kg

## Principle of Operation



## Materials of Construction



TS200S

TS200D

NO.	TITLE	MATERIAL
1	COVER	ALDC12
2	RING	ALDC12
3	BODY	ALDC12
4	MOUNTING NUT	STS
5	SHAFT ADJUST	STS
6	SPRING ADJUST	HSW3
7	ASS'Y DIAPHRAGM	STS / NBR
8	O-RING	NBR
9	DIAPHRAGM LOWER	NBR
10	O-RING	NBR
11	SHAFT PUSH	C3604BD
12	SEAT	STS
13	O-RING	NBR
14	SPRING SEAT	STS
15	O-RING	NBR
16	O-RING	NBR

When signal pressure is greater than setting pressure level, upper diaphragm(3) moves upward, the exhaust valve is closed, the signal pressure pushes the lower diaphragm(4), lower diaphragm(4) pushes shaft push(5) and shaft push(5) pushes seat(6), and the flow can go from IN to OUT. When signal pressure is less than setting pressure level, upper diaphragm(3) is being pushed downward and the pressure of lower pressure diaphragm is exhausted from the exhaust valve. Therefore, the valve is closed by spring force and air circuit is shut down.

The spring(2) force can be adjusted by shaft adjust(1)

The factory setting signal pressure is 0.3Mpa.

## Product Number

Model	TS200			
Acting Type	Single	S		
	Double	D		
Air connection	PT1/4		P	
	NPT1/4		N	
Ambient Temp	-20℃~70℃			S
	-20℃~120℃			H
	-40℃~70℃			L

## Product Number

### MODEL

Indicates the model number.

### SERIAL NO.

Indicates the serial No

### MAX.SIG.PRESS 1.0MPa

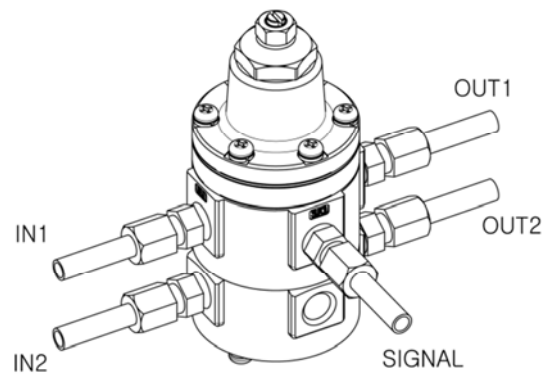
Indicates max signal air pressure.

### SET.PRESS 0.14~0.7MPa

Indicates settable air pressure range.

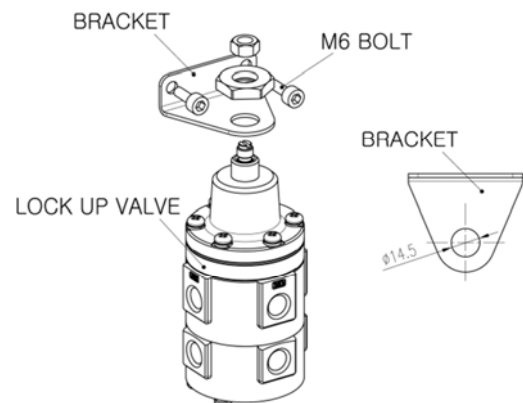
## Pneumatic Connection

- ① Connect the Positioner's Output Port with the Lock Up Valve's In Port.
- ② Connect the Lock Up Valve's Output port with the Actuator.
- ③ Connect Lock Up Valve's Signal with the detect the signal port.

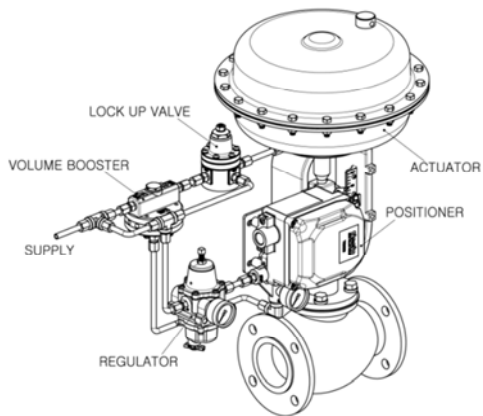


## Bracket Installation

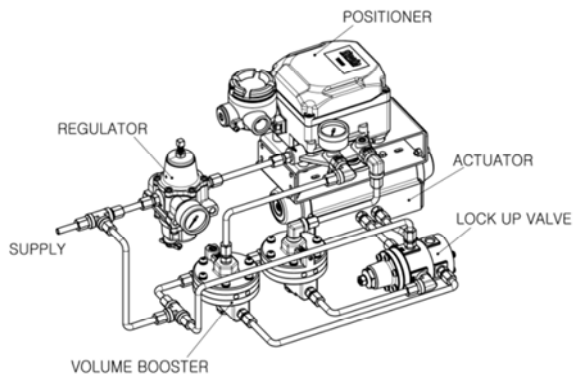
If you need to install brackets, you can referring to product dimension drawing make the bracket, and install it as below.



## Installation Example

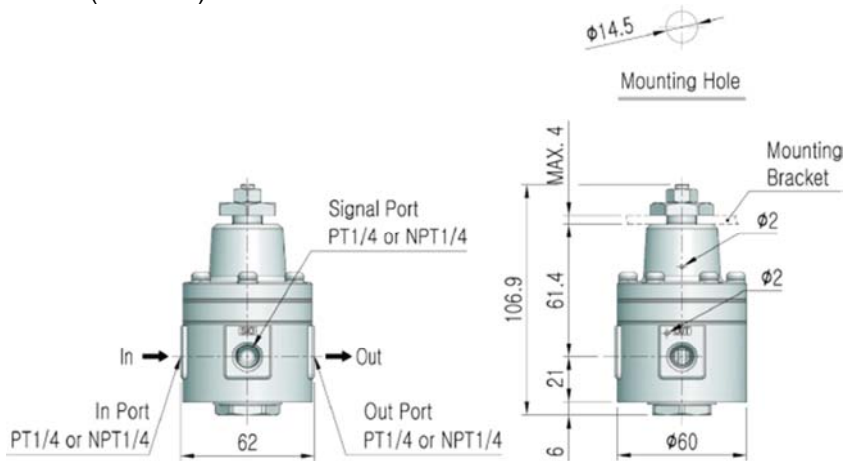


<Single acting linear type actuator>

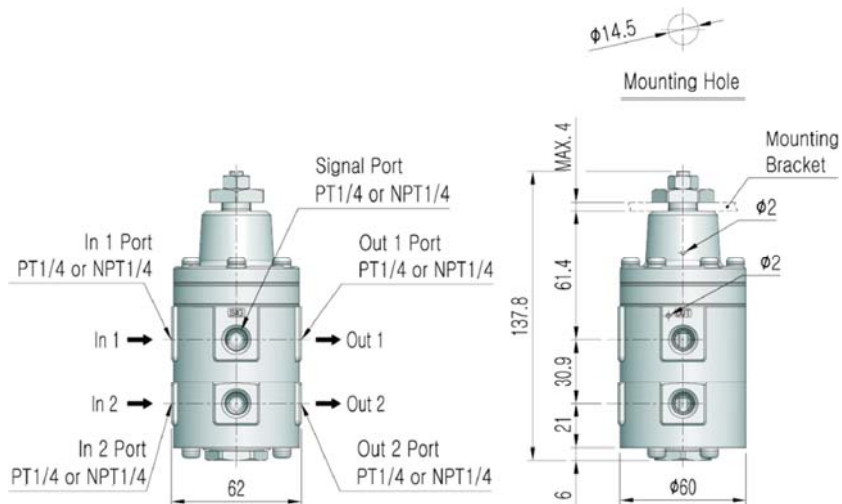


<Double acting rotary type actuator>

## Dimensions (Unit:mm)



**TS200S**



**TS200D**

Архангельск (8182)63-90-72  
Астана (7172)727-132  
Астрахань (8512)99-46-04  
Барнаул (3852)73-04-60  
Белгород (4722)40-23-64  
Брянск (4832)59-03-52  
Владивосток (423)249-28-31  
Волгоград (844)278-03-48  
Вологда (8172)26-41-59  
Воронеж (473)204-51-73  
Екатеринбург (343)384-55-89

Иваново (4932)77-34-06  
Ижевск (3412)26-03-58  
Иркутск (395)279-98-46  
Казань (843)206-01-48  
Калининград (4012)72-03-81  
Калуга (4842)92-23-67  
Кемерово (3842)65-04-62  
Киров (8332)68-02-04  
Краснодар (861)203-40-90  
Красноярск (391)204-63-61  
Курск (4712)77-13-04  
Липецк (4742)52-20-81

Магнитогорск (3519)55-03-13  
Москва (495)268-04-70  
Мурманск (8152)59-64-93  
Набережные Челны (8552)20-53-41  
Нижний Новгород (831)429-08-12  
Новокузнецк (3843)20-46-81  
Новосибирск (383)227-86-73  
Омск (3812)21-46-40  
Орел (4862)44-53-42  
Оренбург (3532)37-68-04  
Пенза (8412)22-31-16

Пермь (342)205-81-47  
Ростов-на-Дону (863)308-18-15  
Рязань (4912)46-61-64  
Самара (846)206-03-16  
Санкт-Петербург (812)309-46-40  
Саратов (845)249-38-78  
Севастополь (8692)22-31-93  
Симферополь (3652)67-13-56  
Смоленск (4812)29-41-54  
Сочи (862)225-72-31  
Ставрополь (8652)20-65-13

Сургут (3462)77-98-35  
Тверь (4822)63-31-35  
Томск (3822)98-41-53  
Тула (4872)74-02-29  
Тюмень (3452)66-21-18  
Ульяновск (8422)24-23-59  
Уфа (347)229-48-12  
Хабаровск (4212)92-98-04  
Челябинск (351)202-03-61  
Череповец (8202)49-02-64  
Ярославль (4852)69-52-93

Киргизия (996)312-96-26-47    Казахстан (772)734-952-31    Таджикистан (992)427-82-92-69

<http://tissin.nt-rt.ru/> || [tni@nt-rt.ru](mailto:tni@nt-rt.ru)